



Fingerprint Door Lock/ Combination Door Lock  
Hotel Door Lock/ Sauna Locker Lock  
Remote Control Door Lock



# SMART LOCK

## SMART ELECTRONIC LOCK CATALOG

Fingerprint Door Lock/ Combination Door Lock  
Hotel Door Lock/ Sauna Locker Lock/Remote Control Door Lock

Enterprise Qualification	02
Enterprise Show	03
Security Fingerprint Lock	04
Remote Control Code Lock	14
Security Combination Lock	16
Electronic Combination Lock	18
Electronic Anti-thief Lock	21
Electronic Lock	22
Electronic Lock Body	33
Cabinet Combination Lock	34
Smart Cabinet Lock	39
Cabinet Lock Accessary	45



SGS



Fireproof




Anti-theft

Certificate



CE



FCC



ROHS



Utility Model Patent



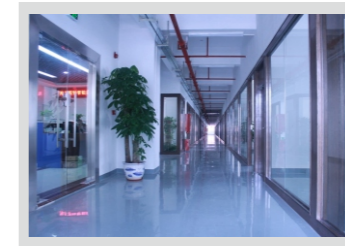
Product Design Patent



Product Design Patent



• Park Environment •



• Office Area •



• Office Work •



• Product Hall •



• Team Photo •



• Exhibition Scene •



• Production Workshop •



• Assembly workshop •



• Production Workshop •



• Production Workshop •







• Monitoring Equipment •

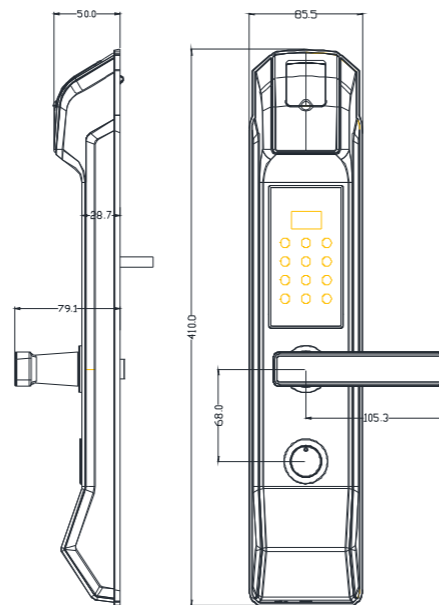


• Product Shipment •



• F2018-Coffee gold •

-   
fingerprint
-   
combination
-   
card
-   
mechanical key
-   
Liquid crystal display



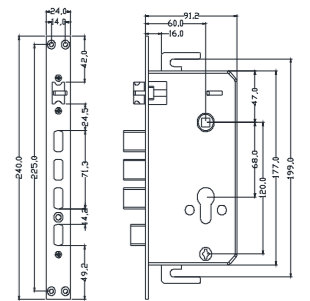
• Measurement •

### Product Features Applicable

- 1.Scope: household, villa, house, apartment, office building, government and so on;
- 2.Unlocked way: four in one function, fingerprint / password / card / key;
- 3.Material: environmental protection zinc alloy material /304 high quality stainless steel;
- 4.Surface technology: Vacuum nanoscale electroplating / automobile surface treatment process;
- 5.Anti damage sensor: 4H pencil 20 cm continuous impact 1000 times without damage;
- 6.No loss of data: after power failure or battery replacement, all information in the lock will not be lost;
- 7.USB emergency power supply interface: the original USB emergency power supply interface, when the battery is not electric, The door lock can be started by inserting the bank power.
- 8.Omni-directional fingerprint recognition: 360. Fingerprint identification, fast unlocking,
- 9.One card function: using Mifare one card of United States, compatible with all M1 cards, such as Area entry and exit card, employee entry and exit card, etc.
- 10.Super power saving: no operation for 10 seconds, the system automatically enters the standby mode of standby power.
- 11.Undervoltage prompt: system automatic voice prompt, low voltage prompt when battery power is insufficient. It can still be opened 1000 times.
- 12.Guard protection: 12 bits of guard against random code input method, put an end to the malicious password when entering the password



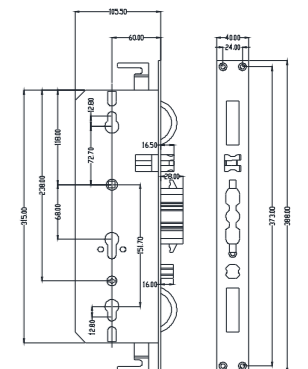
Anti-theft lock Mortise  
Standard face plate 240\*24/ 240\*30mm  
special size can customized



Anti-theft lock Mortise measurement



Optional lock Mortise  
Standard face plate 388\*30/ 388\*40mm,  
special size can customized



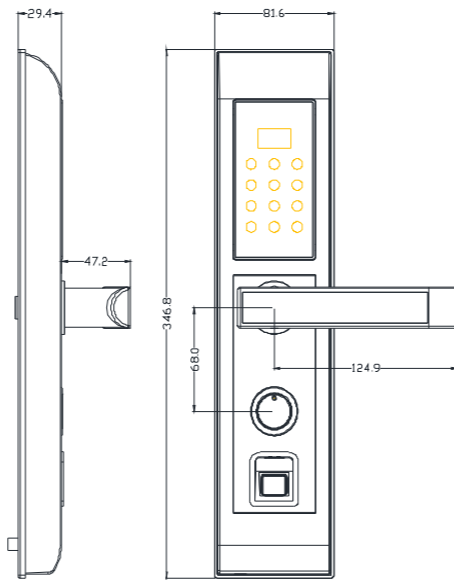
Mortise measurement

### Technical Data

NO.	Items	Technical Parameters	NO.	Items	Technical Parameters
1	Sensor resolution	Bright background, 500dpi	13	Battery life	Opening door for 11000 times
2	Sensor damage resistance ability	1000 times of impact with 4H pencil	14	Working voltage	DC 6 V
3	Starting time	<1 second	15	Power supply mode	Battery powered
4	Way of contrast	1: N	16	Combination capacity	100 Set
5	False rejection rate	≤ 1%	17	backup power	DC 9 V
6	Error rate	≤ 0.0001%	18	Low voltage alarm	4.9 V
7	Finger point	360°	19	Antistatic ability	Contact discharge 8KV air discharge 15KV
8	Fingerprint registration module	Create one fingerprint module at one time	20	Working temperature	-10℃ — 55℃
9	Fingerprint update mode	Auto update	21	Working humidity	10% — 90%
10	Fingerprint information	The fingerprint information will not lose when the battery is off or changed	22	Storage temperature	-20℃ — 70℃
11	Fingerprint capacity	100 Pieces	23	Combination design	Random combination
12	Light interfere	Avoid explosion under high light	24	Code length	Eight bits



-  fingerprint
-  combination
-  card
-  mechanical key
-  Liquid crystal display

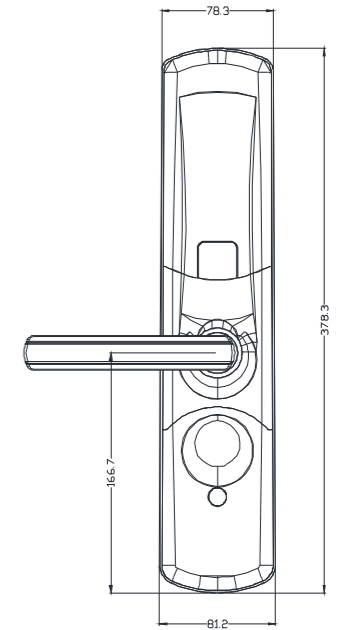


• F2019-J •

• Measurement •

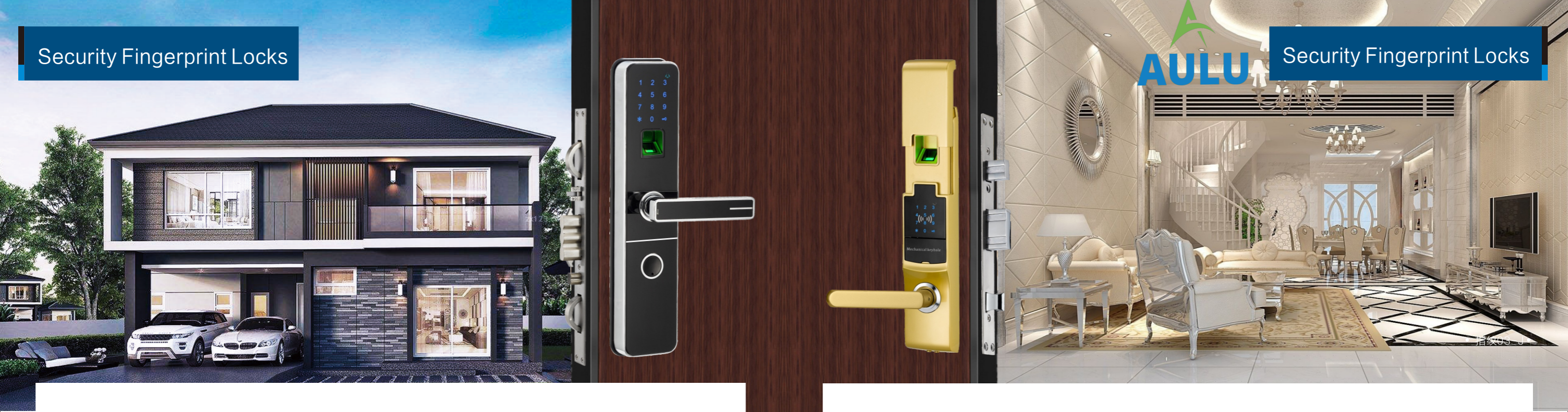


-  fingerprint
-  combination
-  card
-  mechanical key



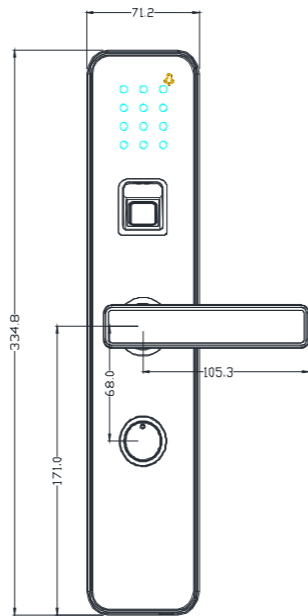
• F01-J •

• Measurement •



• F12-J •

-  fingerprint
-  combination
-  card
-  mechanical key



• Measurement •

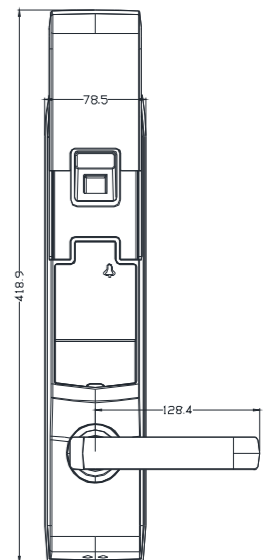


• F03-Red Bronze •

-  fingerprint
-  combination
-  card
-  mechanical key



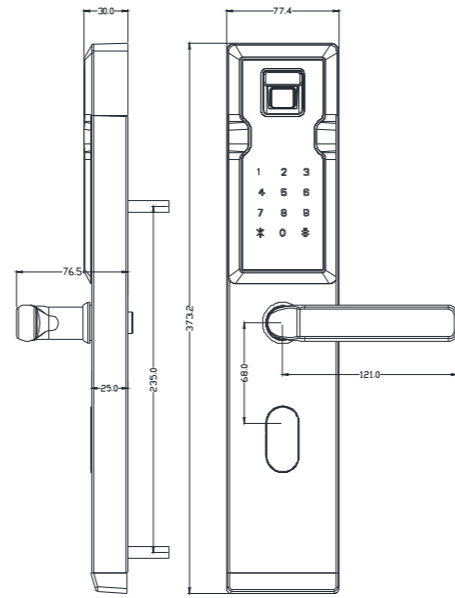
• F03-Y •



• Measurement •



-  fingerprint
-  combination
-  card
-  mechanical key

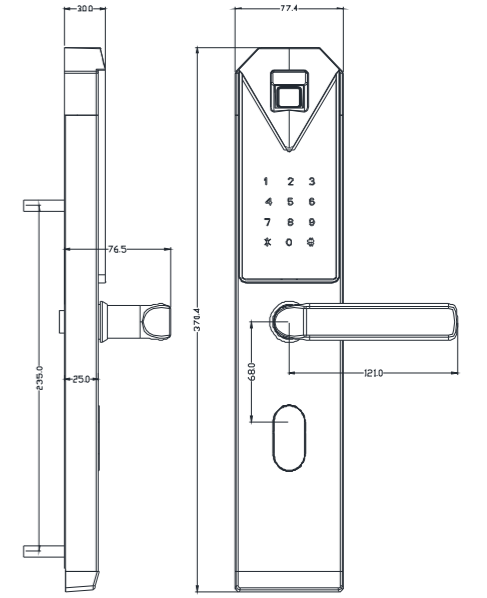


• F2017-Gun color-S1 •

• F2017-Red Bronze-S1 •

• Measurement •

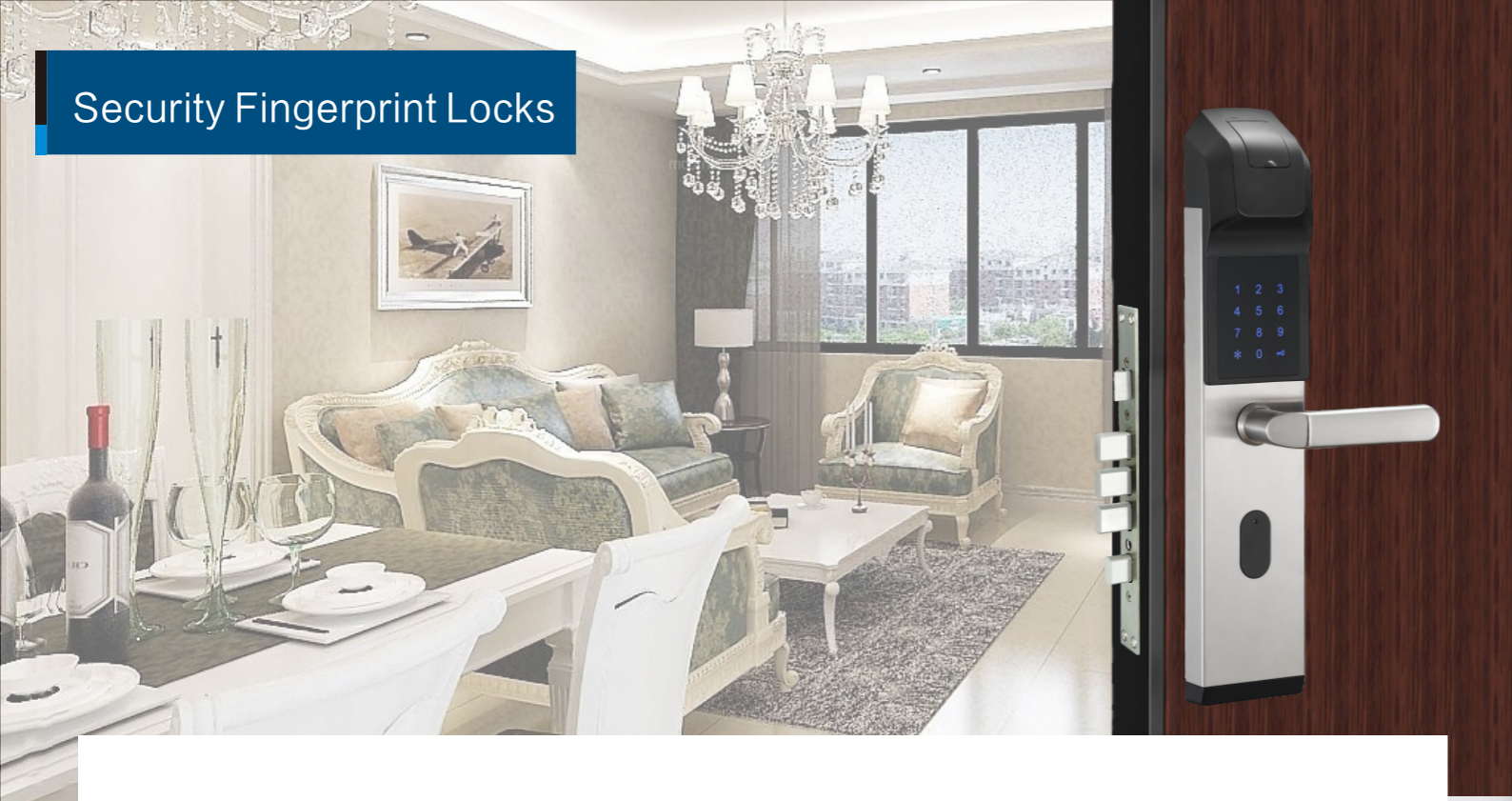
-  fingerprint
-  combination
-  card
-  mechanical key



• F2017-Y-S5 •

• F2017-Gun color-S5 •

• Measurement •



F10-J (Interior door special use) Interior door single tongue lock body 50mm/60mm



Software management fingerprint lock  
 1.unlock mode: fingerprint +T57 card;  
 2.achieve fingerprint unlock,also limits the time of use the card through Software management ;  
 3.can provide mechanical parts, customers provided circuit board  
 4.standard No. 2 short lock body, but also optional single tongue lock body.

• 10F-Y •  
 • 2# short lock body •

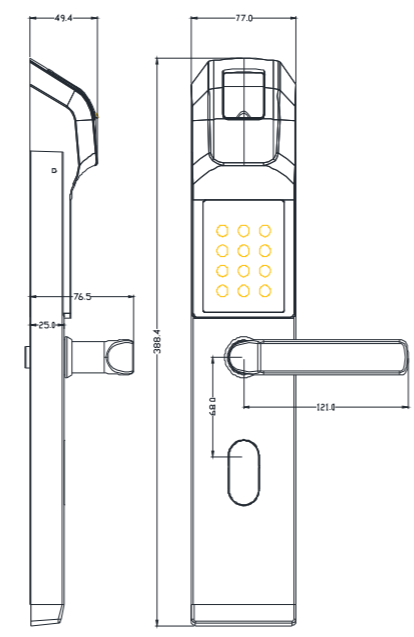
- fingerprint
- combination
- card
- mechanical key



• F2018-Red Bronze-S8 •



• F2018-Gun color-S8 •



• Measurement •



• F06-Rose Golden •

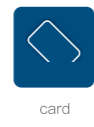
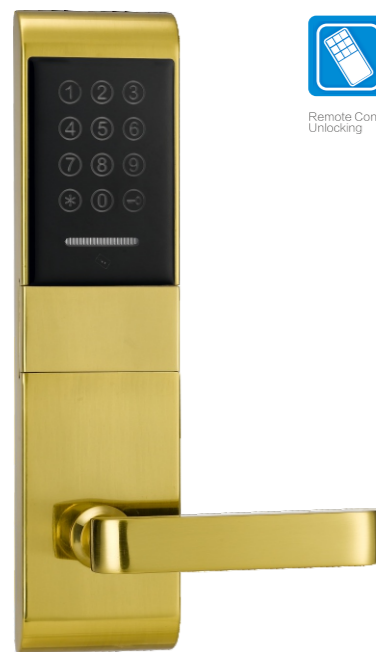


• F08-Rose Golden with Handle •



• F08-Rose Golden •





Remote Control  
Unlocking

combination

card

mechanical key



### Technical Parameters

Operating Voltage: 6.0V (4 pieces of AA alkaline batteries)  
 Unlocking times: >10000 times (4 pieces of AAA alkaline batteries)  
 Static power consumption: <40uA  
 Dynamic power: 200 mA  
 Low voltage indication: <4.8V  
 Temperature: -25 °C~ +70 °C  
 Working humidity: 20% - 80%  
 Identify speed: 0.5 ~ 1.5s  
 Card capacity: 50 pieces  
 Remote control capacity: 30 pieces  
 Password capacity: 10 pieces(lock with password function)  
 Master password: 1 piece(lock with password function)  
 RFID frequency: 915MHz ISM  
 Remote control distance: > 30m (indoor)  
 Remote control technology: rolling code  
 Wireless conflict: automatic frequency hopping

• 1078 Remote control-J •

• Remote Control •



• 618 Remote control-J •



• 2018 Remote control-Y •



• 918 Remote control-Y •



Someone knocked on the door outside the office , do not need to get up, just press the remote control to open the door



when the guests visit, just gently press the remote control, you can open the door



• 118 Remote control-Y-S1 •



• 818 Remote control-Red Bronze •



Technical Parameters

Operating Voltage: DC6.0V (4 pcs AA alkaline batteries)  
 Unlocking times: >10000 times  
 Static power consumption: <40uA  
 Dynamic power: 200 mA  
 Low voltage indication: <4.8V  
 Temperature: -25 °C~+70 °C  
 Working humidity: 20% ~ 80%  
 Card type: Mifare card  
 Unlocking method: independent mode of Mifare card or password unlocking alone; combined mode of using Mifare card and the password to unlock together.  
 Setting way: The card is set on the lock, no need other system software.  
 Card capacity: 2 pcs master cards, 200 pcs unlocking cards  
 Password capacity: 1 pcs master password, 50pcs unlocking passwords  
 "Garbled" function: support "garbled" input ,the longest is up to 12 digits numbers.  
 Other function: " Fake locking" alarm function; Stay-open mode; Low voltage alarm function; Battery power supply.

• 2019 Touch screen password-J •



• 2016 Touch screen password-J •



• 2016 Touch screen password-Y •



• 2017 Touch screen password • Gun color



• 2017 Touch screen password • Red Bronze



• 2017 Touch screen password-Y •



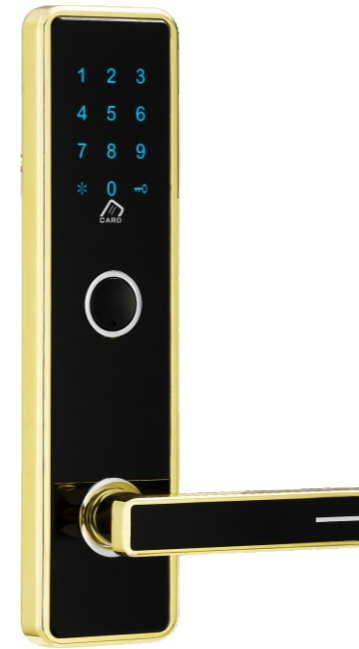
• 1088 Touch screen password • Red Bronze



• 1088 Touch screen password-Y •



• 2020 Touch screen password-Y • • 2020 Touch screen password-Gun color • • 2020 Touch screen password-Red Bronze •



• 618 Touch screen password-J •



• 618 Touch screen password-Y •



• 118 Touch screen password-J •



• 118 Touch screen password-Y •



• 818 Touch screen password-Grey color •



• 818 Touch screen password-Red Bronze •



• 918 Touch screen password-J •



• 918 Touch screen password-Y •



• 2019E-J •



• 2016E-J •



• 2016E-Y •



• 1068 Touch screen password-J •



• 1068 Touch screen password-Y •



• 2017E-Gun color •



• 2017E-Red Bronze •



• 2017E-Y •



• 1078 Touch screen password-J •



• 1078 Touch screen password-Y •



• 1088E-Red Bronze •



• 1088E-Y •



• 1088E- Back Panel •



• 2021E-Y •



card



mechanical key

**Main Parameters**

Technical specifications: adopting TI chips from American Texas Instruments  
 Card type: US ATMEL Temic card  
 Production technology: Embedded electronic module and induction coil on PVC surface  
 System logic: anti conflict mechanism  
 Storage capacity: 32 bytes  
 Method of reading card: non-contact sensor card  
 Read and write features: readable; writable; can be encrypted

**Technical Parameters**

Operating Voltage: 6.0V (4 pieces of AA alkaline batteries)  
 Static power consumption: <30uA  
 Dynamic power consumption: 200 mA  
 Battery life: >10000 times  
 Low voltage indication: When the voltage is lower than 4.8V, still can unlock more than 200 times (affected by the inconsistency of the battery)  
 Reading time: Swipe card open the door once effective, or do not push handle after swiping card, automatically be locked in 7 seconds.  
 Unlocking record: save the latest unlocking records 1000 pcs, including mechanical key unlocking records  
 Installation requirements: thickness 35-55mm, special requests, please let us know



**Hotel Lock System Compositon**



• 2021E-Rose Gold •



• 2021E- Back Panel •



• 2020E-Gun Color •



• 2020E-Red Bronze •



• 2020E-Y •



• 618E-J •



• 618E-Y •



• 1018E-J •



• 1018E-Y •



• 1018E-J Back Panel •



• 818E-Red Bronze •



• 818E-Back Panel •



1068E-J •



• 1068E-Y •



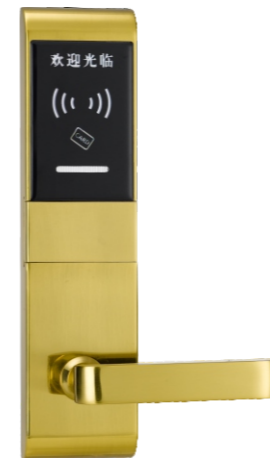
• 1068E-J Back Panel •



• 918E-J •



• 918E-Y •



• 1078E-J •



• 1078E-Y •



• 1078E-J Back Panel •



• 1058E-J •



• 1058E-Y •



Function and Features

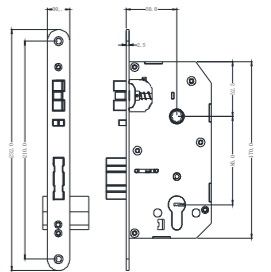
1. 304 stainless steel, steady and durable.
2. European standard lock body, thickness can support 35mm.
3. Lift up handle can be locker from outside.
4. Mechanical parts or with ID board / 57 board / M1 board.



Forced anti-lock button design, when the guests refused to disturb, can press the forced anti-lock button to eliminate the key to unlock and the master card to unlock.



• European lock body • fit in 35mm door thickness



• Measurement •

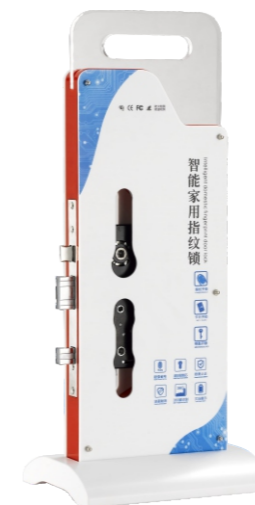
• European Style 01 – Back Panel •



• Split lock 02-J •



• Split lock 02-Y •



Product feature: Can print LOGO(OEM)  
Material: Acrylic / plexiglass

• Lock stand for fingerprint lock •



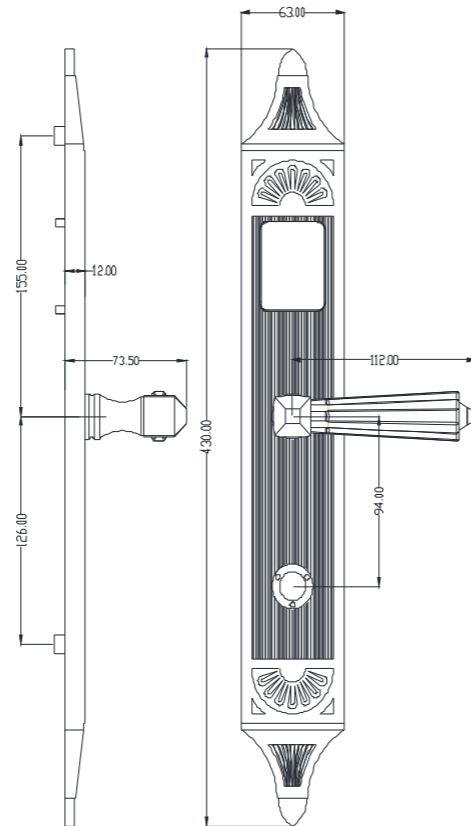
Production technical: one-time injection molding  
Material: Advanced PC material

• Lock stand for hotel lock •



## Features

1. Retro European-style pattern.
2. Solemn bronze color,
3. Super-long and bigger panels, to give you a sense of security,
4. Pure copper forging, to give you long-lasting durability.
5. 10 years later, when you disagree with the style it is outdated, it does not fade or distort when you first see it.



• European Model with Lace – Black Bronze •

• Measurement •



• 118E-J-S •

• 118E-Y-S •

• 118E-Y-S •

• 118E-Red Bronze-S •



• 118E-J-S1 •

• 118E-Y-S1 •

• 118E-J-S1 •

• 118E-Y-S1 •



• 118E-J-S •

• 118E-Y-S •

• 118E-J-S1 •

• 118E-Y-S1 •





• 118E-J-S5 •



• 118E-Y-S5 •



• 2018E-Y •



• 418E-Y •



• 1008E-J •



• 1008E-Y •



• 118E-J-S6 •



• 118E-Y-S6 •



• 118E-Red Bronze-S6 •



• 1008E-Red Bronze •



• 1008E-Back Panel •



• 118E-J-S2 •



• 118E-Y-S2 •



• 118E-J-S3 •



• 118E-Y-S3 •



• 108E-J •



• 108E-Y •



• 218E-NN •



• 218E-NN-S •



• 218E-NN Back Panel •



• 218E-JN •



• 218E-JN-S •



• 218E-JN Back Panel •



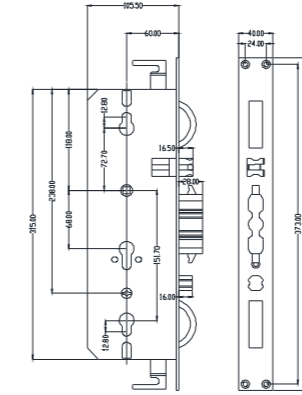
• 218E-JJ •



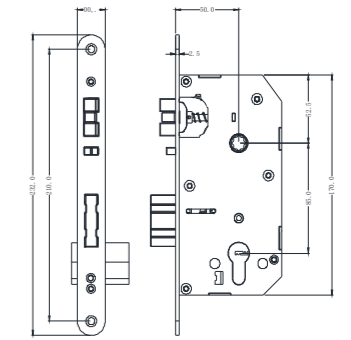
• 218E-JJ-S •



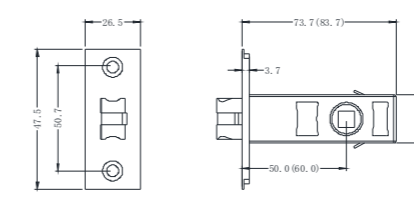
• 218E-JJ Back Panel •



• King lock body •



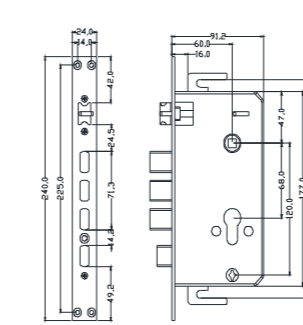
• European lock body •



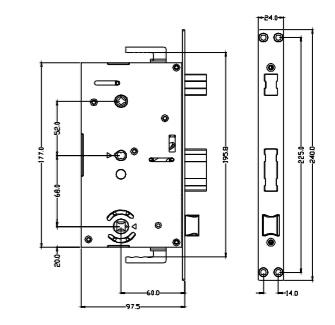
• Single tongue lock body •



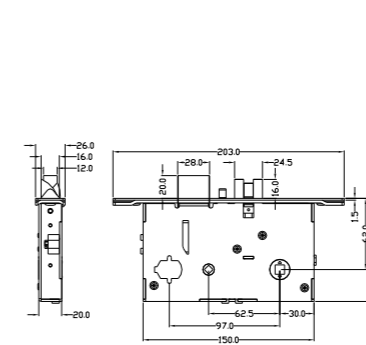
• Wangli lock core • • Gourd bold cylinder •



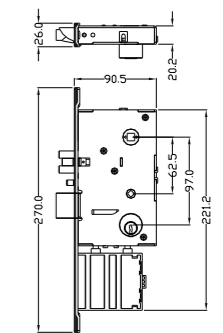
• Anti-theft Lock Body •



• Anti-theft Lock Body •



• 2# Short Lock Body •



• 2# Long Lock Body •



Cabinet Combination Lock

- 1.Public mode
- 2.Home Mode
- 3.Unlocking way: card, or password, or card+password

Function and Features

- 1.Single-unlocking method(independent mode of guest card unlocking alone) and Double-unlocking method(combined mode of using Service card and the guest card to unlock together.)  
User can set the function mode as needed at any time.
- 2.Bouncing function: when the lock opened by card, the cabinet door will be bounced automatically so that handle is not needed.
- 3.If voltage is lower than 4.8V, the lock will alarm whenever unlocked by card.
- 4.External power interface(Audio interface)
- 5.In certain emergency cases, the lock can be opened mechanically.
- 6.Wristband for carrying the TM card: convenient, waterproof, heat-resistant, anti-corrosion.

Technical Parameters

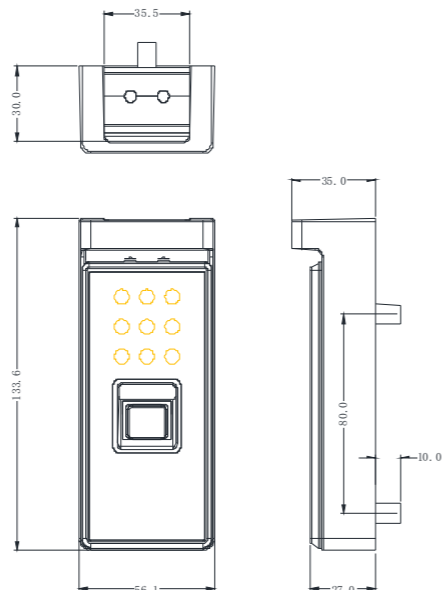
Technical specifications: adopting TI chips from American Texas Instruments  
 Production technology: After using environmentally friendly zinc alloy die-casting, surface treatment.  
 Surface technology: Vacuum nano-plating  
 System logic: anti conflict mechanism  
 Storage capacity: 32 bytes  
 Method of reading card: non-contact sensor card  
 Type of card: EM car / ID card、T5557 card、M1 card/M11D card  
 Operating Voltage: 6.0V (4 pieces of AAA alkaline batteries)  
 Static power consumption: <30uA  
 Dynamic power consumption: 200 mA  
 Battery life: > 10000 pcs  
 Low voltage indication: When the voltage is lower than 4.8V, still can unlock more than 200 times (affected by the inconsistency of the battery)  
 Reading time: Swipe card open the door once effective, or do not push handle after swiping card, automatically be locked in 7 seconds.  
 Installation requirements: >10mm, if the door is metal material, please let us know



• EM152 Fingerprint password-Y •



• EM152 Fingerprint password-Y •

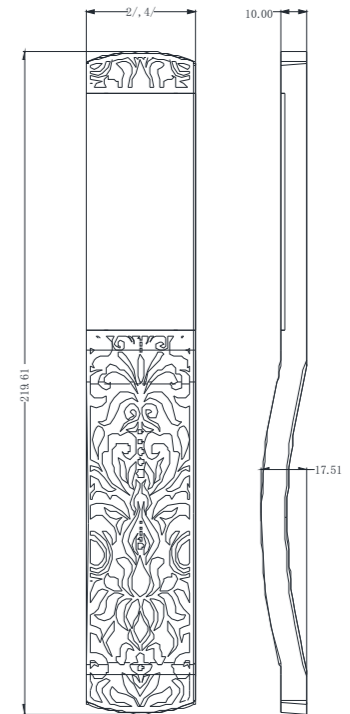


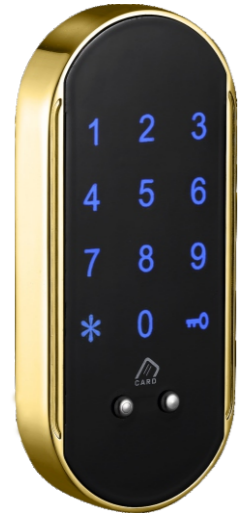
• EM150 Password-J •



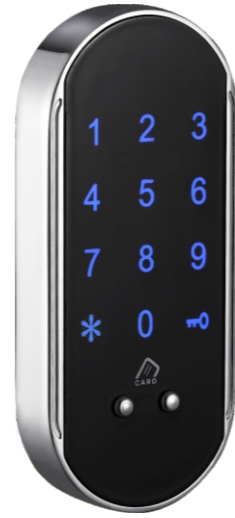
• EM150 Password-Red Bronze •

• EM150 Password-Green Bronze •





• EM153 Password-J •



• EM153 Password-Y •



• EM138 Password-J •



• EM138 Password-Y •



• EM139 Password-J •



• EM139 Password-Y •



• EM136 Password-J •



• EM136 Password-Red Bronze •



• EM135Password-J •



• EM135Password-Y •



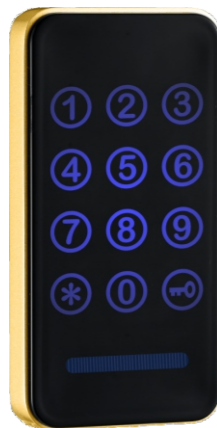
• EM155-J •



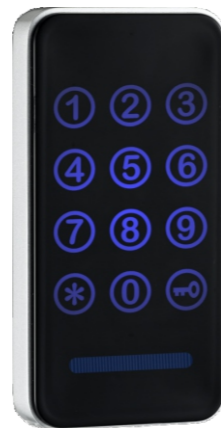
• EM150-Red Bronze •



• EM150-Green Bronze •



• EM118Password-J •



• EM118Password-Y •



• EM150-Y •



• EM139-J •



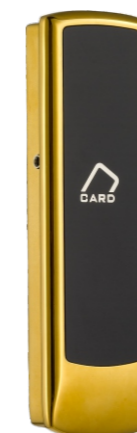
• EM139-Y •



• EM126Password-J •



• EM126Password-Y •



• EM133-J •



• EM133-Y •



• EM138-J •



• EM138-Y •



• EM138-Red Bronze •



• EM132-Red Bronze •



• EM129-Coffee Gold •



• EM136-J •



• EM136-Y •



• EM136-Red Bronze •



• EM131-Rose Gold •



• EM130-Coffee Gold •



• EM123-Red Bronze •



• EM123-Green Bronze •



• EM135-J •



• EM135-Y •



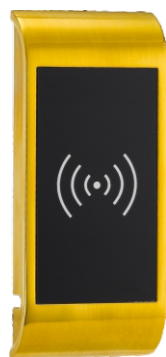
• EM135-Red Bronze •



• EM Dragon-J • • EM Dragon-Green Bronze • • EM Phoenix-Y • • EM Phoenix-Red Bronze •



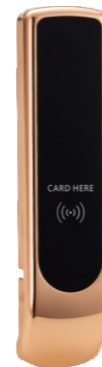
• EM118-J • • EM118-Y • • EM117-J • • EM117-Y •



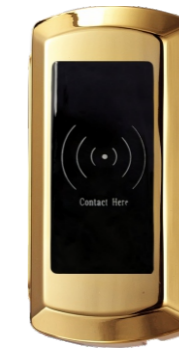
• EM126-J • • EM126-Y • • EM126-Red Bronze •



• EM115-J • • EM115-Y • • EM110-J • • EM110-Red Bronze •



• EM125-J • • EM125-Y • • EM128-Rose Gold •



• EM109-J • • EM109-Red Bronze • • EM108-J • • EM108-Y •



• EM106-J •



• EM106-Y •



• EM105-J •



• EM105-Y •



• EM151-J plastic •



• EM151-Y plastic •



• EM105-J plastic •



• EM105-Y plastic •



• EM103-J •



• EM103-Y •



• EM113-Lvory white •



Blue Color Silicone Wristband



Red Color Silicone Wristband



Yellow Color Silicone Wristband



Orange Color Silicone Wristband



Black Color Silicone Wristband



Blue Color Plastic Wristband



Red Color Plastic Wristband



Yellow Color Plastic Wristband



Orange Color Plastic Wristband



Blue Color Plastic Wristband



Red Color Plastic Wristband



Yellow Color Plastic Wristband



Orange Color Plastic Wristband



Red Color Buddha Beads



Yellow Color Buddha Beads



Purple Color Buddha Beads



Black Color Buddha Beads



Lock body-1 (Standard)



Lock body-2 (2 bolts)



Lock body-3 (Prying resistant)



Lock body-4 (Metal)



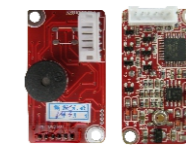
Lock body-5 (Direct electricity supply (Metal))



Lock body-6 (Direct electricity supply (Plastic))



Lock body-7 (universal replacement)



Circuit board



External battery box